

**Non-Isolated Trigger Inputs:**  
 Input to a Br-Brain4, Sd-50 (audio triggers), Br-ANA, Br-ZBR, etc.. Input MUST be set for 'Internal' power. Trigger input is powered from same supply as the card. The sensor can be set for 'light on' or 'dark on' operations. Set all shows/sounds as 'non-steppable'. Other inputs (d1 through d7) can be wired identically.

**Isolated Trigger Inputs:**  
 Input to a Br-Brain4, Sd-50 (audio triggers), Br-ANA, Br-ZBR, etc.. Input MUST be set for 'External' power. Trigger input is powered from the isolated supply which powers the sensor. The sensor can be set for 'light on' or 'dark on' operations. Set all shows/sounds as 'non-steppable'. Other inputs (d1 through d7) can be wired identically.

**Non-Isolated Trigger Inputs:**  
 Input to a Sd-50/8 or Sd-50/40 'a', 'b', 'c' or 'd' inputs. The Sd-50 is powered through the 2.1mm power jack (not shown). The trigger input is powered from same isolated supply which powers the Sd-50. The sensor can be set for 'light on' or 'dark on' operations. Set all shows as 'non-steppable'. Other inputs ('B', 'C', 'D') can be wired identically.

**Isolated Trigger Inputs:**  
 Input to a Sd-50/8 or Sd-50/40 'a', 'b', 'c' or 'd' inputs. The Sd-50 is powered through the 2.1mm power jack (not shown). The trigger input is powered from the isolated supply which powers the sensor. The sensor can be set for 'light on' or 'dark on' operations. Set all shows as 'non-steppable'. Other inputs ('B', 'C', 'D') can be wired identically.

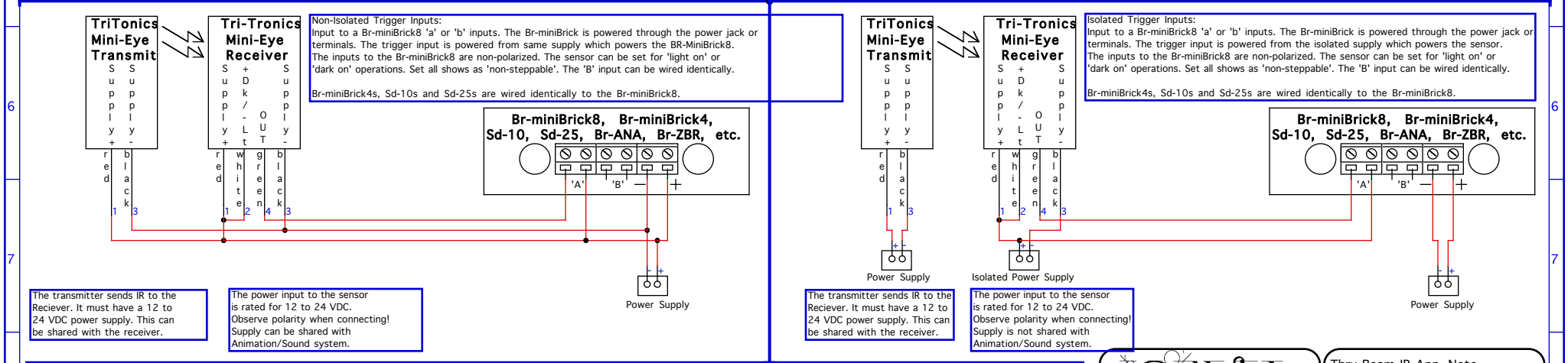
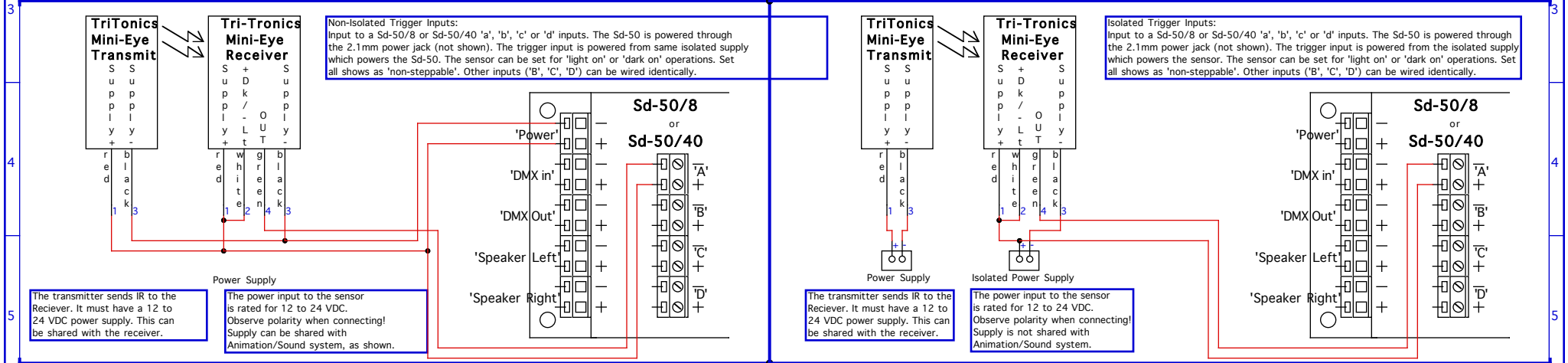
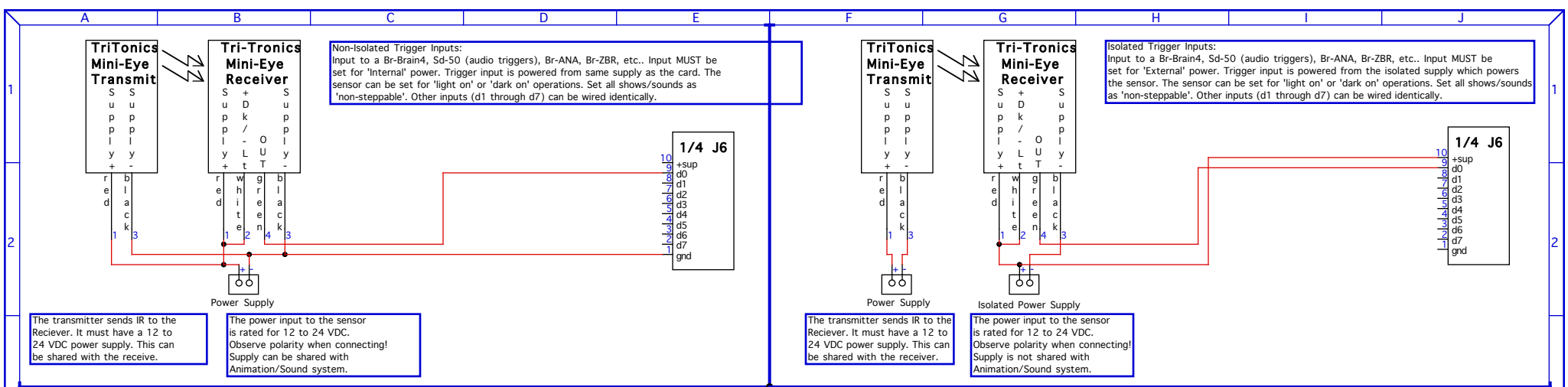
**Non-Isolated Trigger Inputs:**  
 Input to a Br-miniBrick8 'a' or 'b' inputs. The Br-miniBrick is powered through the power jack or terminals. The trigger input is powered from same supply which powers the Br-MiniBrick8. The inputs to the Br-miniBrick8 are non-polarized. The sensor can be set for 'light on' or 'dark on' operations. Set all shows as 'non-steppable'. The 'B' input can be wired identically.  
 Br-miniBrick4s, Sd-10s and Sd-25s are wired identically to the Br-miniBrick8.

**Isolated Trigger Inputs:**  
 Input to a Br-miniBrick8 'a' or 'b' inputs. The Br-miniBrick is powered through the power jack or terminals. The trigger input is powered from the isolated supply which powers the sensor. The inputs to the Br-miniBrick8 are non-polarized. The sensor can be set for 'light on' or 'dark on' operations. Set all shows as 'non-steppable'. The 'B' input can be wired identically.  
 Br-miniBrick4s, Sd-10s and Sd-25s are wired identically to the Br-miniBrick8.

**Virtually ALL optical sensors will be wired exactly as shown for the Omron E3Z-T61.**  
**If using a 'retroreflective' or 'diffuse' sensor: Wiring is identical as shown for the receiver, and there is no transmitter.**  
**Pin Numbers shown for 'conectorized' versions of the sensors (E3Z-T66)**



Thru-Beam IR App. Note  
 Omron E23 Wiring  
 updated: 3/6/14  
 205 South Flower Street • Burbank, CA 91502-2102  
 818/840-9484 • 800/776-5972 • fax 818/840-9485



**Virtually ALL optical sensors will be wired exactly as shown for the Tri-Tronics Mini-Eye.**  
**If using a 'retroreflective' or 'diffuse' sensor: Wiring is identical as shown for the receiver, and there is no transmitter.**  
**Pin Numbers shown for 'conectorized' sensors are as follows:**  
**(Brown=Red +supply, White=White +Dark/-Light, Black = Green Output, Blue = Black -supply)**



**Thru-Beam IR App. Note**  
**Tri-Tronics MiniEye Wiring**  
 updated: 3/6/14  
 205 South Flower Street • Burbank, CA 91502-2102  
 818/840-9484 • 800/776-5972 • fax 818/840-9485