

A

B

C

D

E

1

1

2

2

3

3

4

4

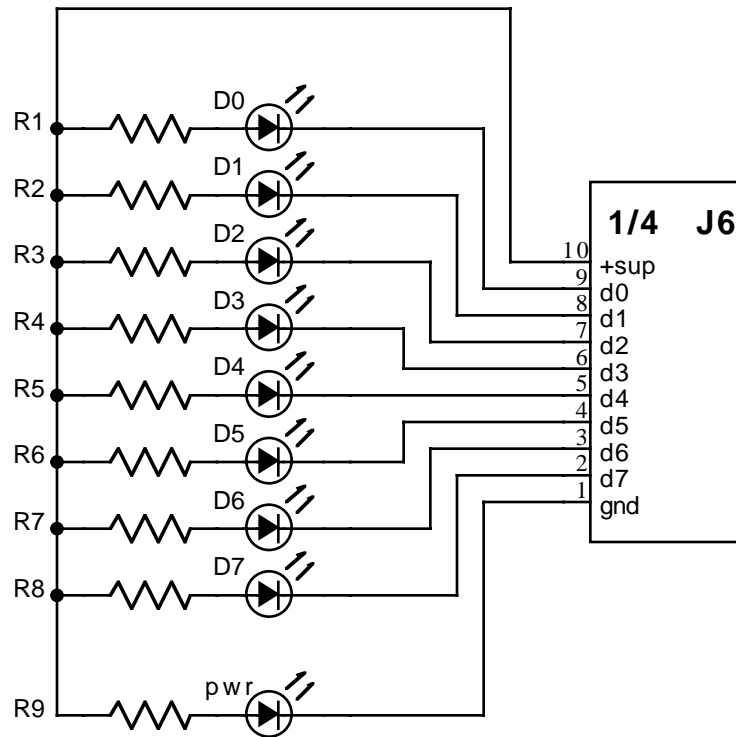
A

B

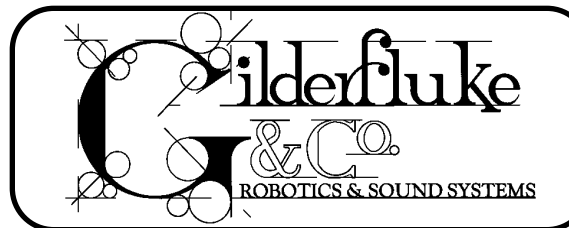
C

D

E



All Resistors 2.2 K $\Omega$  to 4.7 K $\Omega$  typically



1/4 J6 LEDs  
page 1 of 1 :  
updated: 3/9/1999

205 South Flower Street • Burbank, CA 91502-2102  
818/840-9484 • 800/776-5972 • fax 818/840-9485